

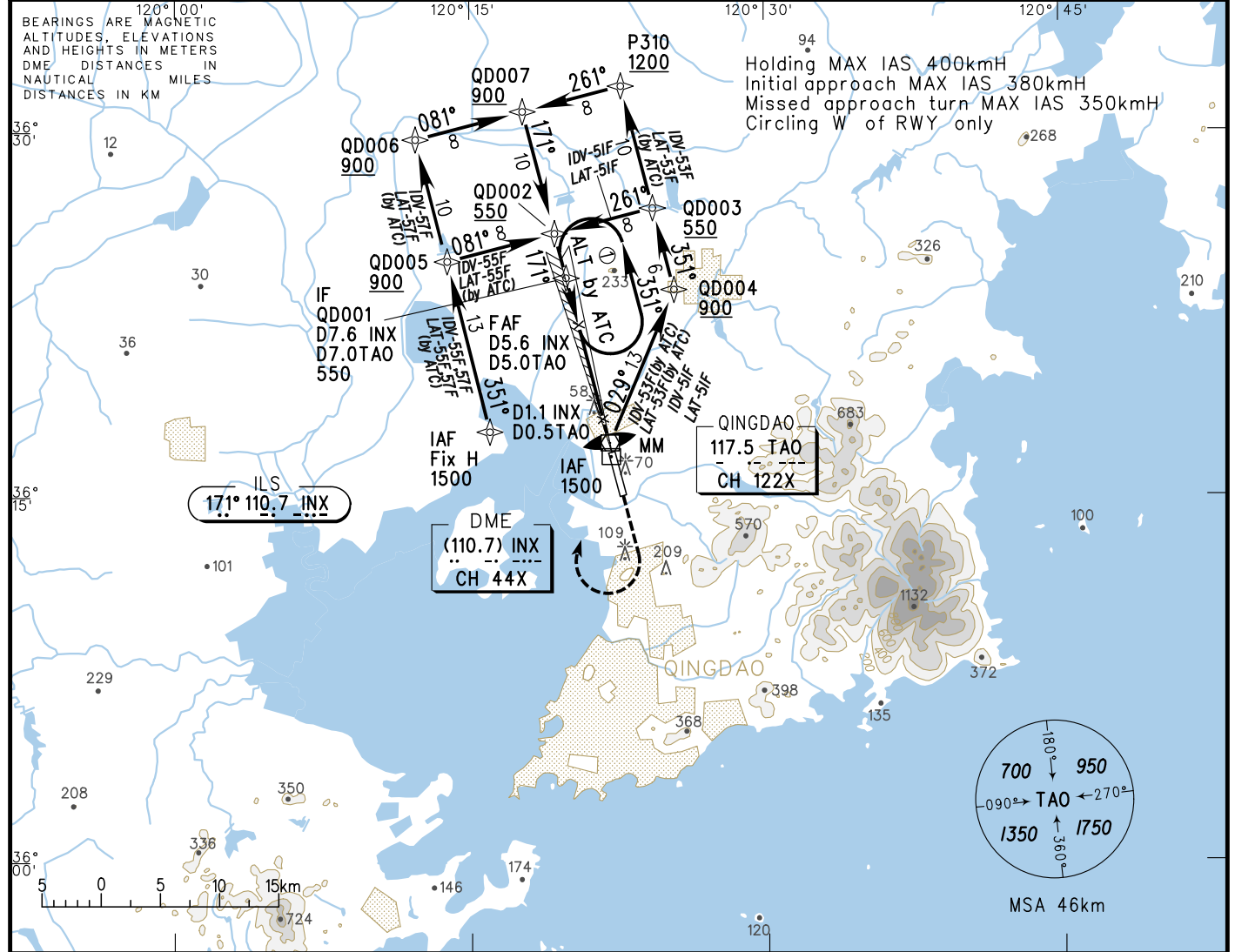
INSTRUMENT APPROACH CHART-ICAO

VAR6° W

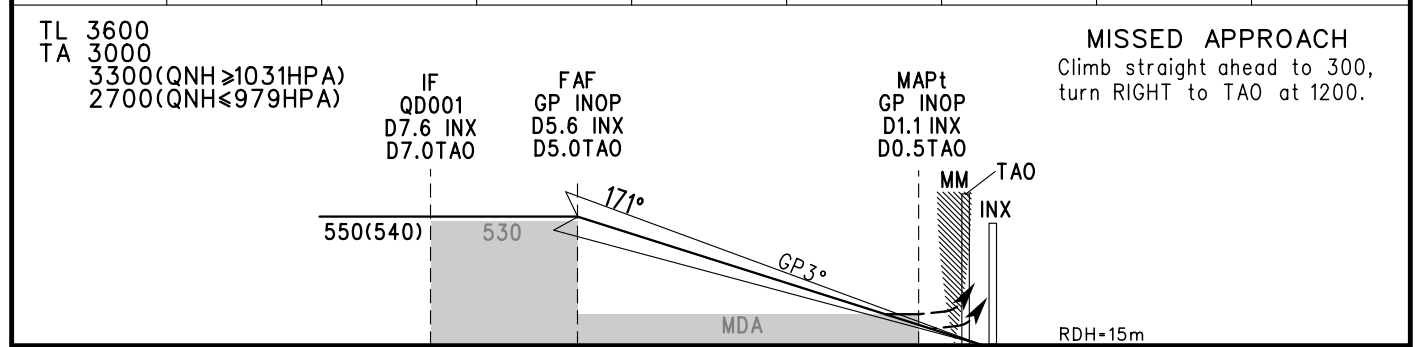
AERODROME ELEV 10
 HEIGHTS RELATED TO THR RWY17 ELEV 10

ATIS 127.2
 D-ATIS 131.45
 TWR 118.7(124.3)
 APP 119.4(124.6)/AP01
 121.15(124.6)/AP02

ZSQD QINGDAO/Liuting
 RNAV ILS/DME RWY17



GP INOP	DME (INX) (NM)	7	6	5	4	3	2	1
	ALT (m)			494	397	300	203	



	A	B	C	D	FAF-MAPt(GP INOP) 8.4km								
ILS/DME DA(H) RVR/VIS	70(60) 550/800		75(65) 550/800		75(65) 600/800		GS in kmH	150	185	220	260	295	335
GP INOP MDA(H) VIS	140(130) 1800			140(130) 2000			Time min:sec	3:22	2:43	2:17	1:56	1:43	1:30
CIRCLING MDA(H) VIS	260(250) 2800	260(250) 3200	350(340) 4400	350(340) 5000		Rate of descent m/s	2.2	2.7	3.2	3.8	4.3	4.9	

Changes: New chart.