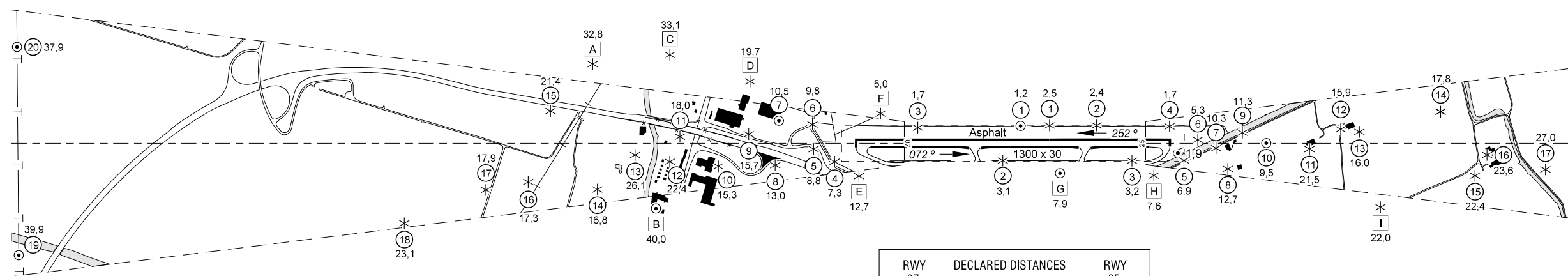
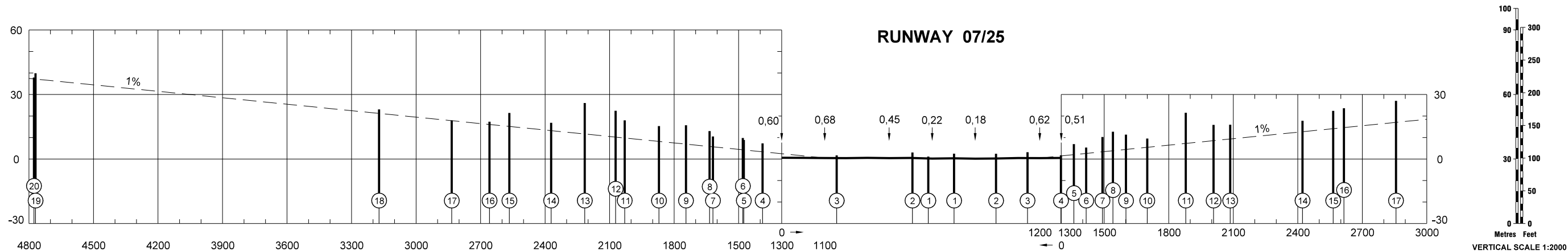


DIMENSIONS AND ELEVATIONS IN METRES  
MAGNETIC VARIATION 0.9° E (2013,07)

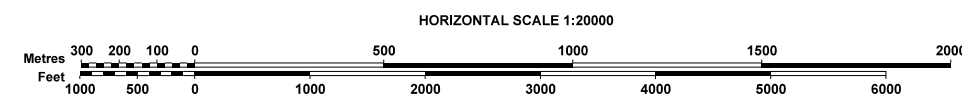


RWY 07	DECLARED DISTANCES	RWY 25
1200	Take-off run available	1100
1200	Take-off distance available	1100
1300	Accelerate stop distance available	1300
1100	Landing distance available	1200

AMENDMENT RECORD		
NO.	DATE	ENTERED BY

Date of survey: 06/2013

LEGEND	
	Terrain penetrating obstacle plane
	Wooded areas penetrating obstacle plane
	Structure gauge
	Pole, tower, chimney, antenna
	Tree, shrub
	Building
	Obstacle penetrating obstacle plane, profile presentation
	Obstacle penetrating the transitional surfaces
	High tension cable, overhead cable
	Fence
	Railroad (one or more tracks)



Correction: New Survey.