

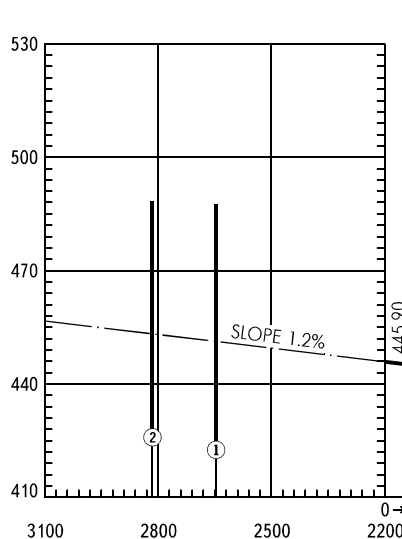
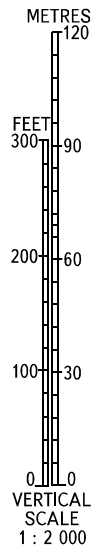
AERODROME OBSTACLE CHART - ICAO

TYPE **A** (OPERATING LIMITATIONS)

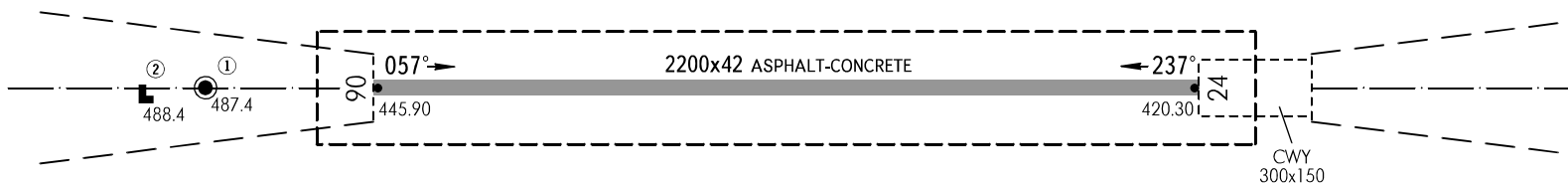
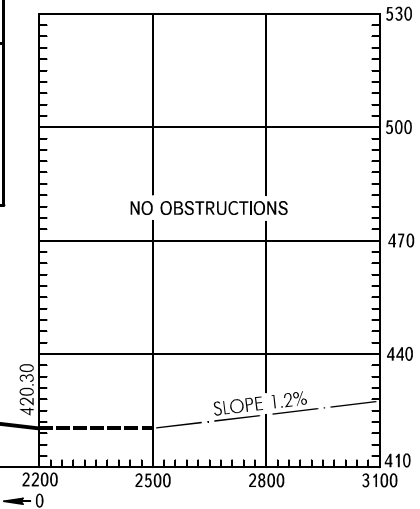
DIMENSIONS AND ELEVATIONS IN METRES

NALCHIK, RUSSIA
NALCHIK
RWY 06/24

MAGNETIC VARIATION **6°E**



DECLARED DISTANCES	
RWY 06	RWY 24
2200	—
2500	—
2200	—
—	2200



LEGEND	
ANTENNA, CHIMNEY	●
BUILDING	■
IDENTIFICATION NUMBER	①

