

ELEVATIONS IN FEET  
ALL OTHER DIMENSIONS IN METRES

**AERODROME OBSTACLE CHART - ICAO**  
TYPE A - OPERATING LIMITATIONS

**DUBAI / International**  
**UNITED ARAB EMIRATES**  
RWY 12R/30L

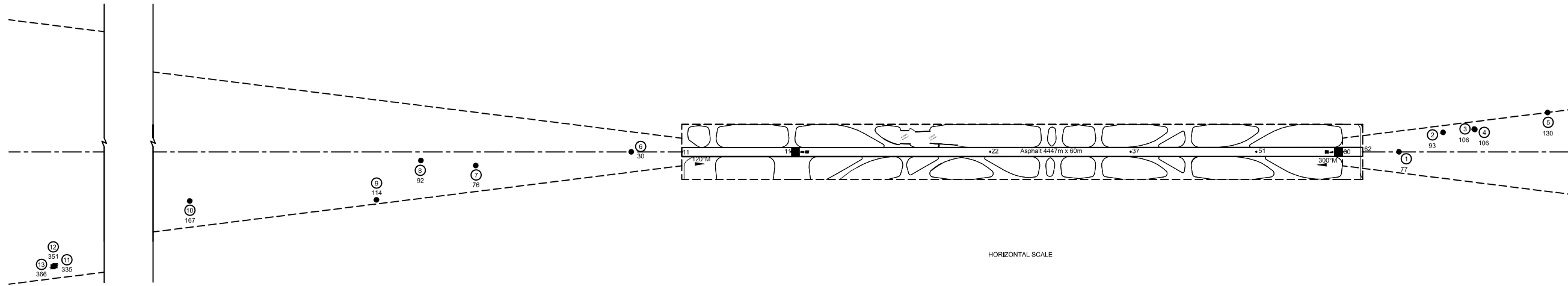
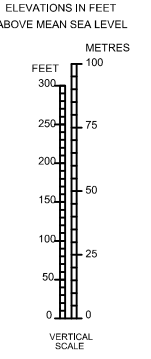
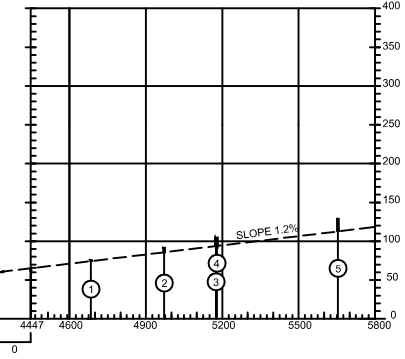
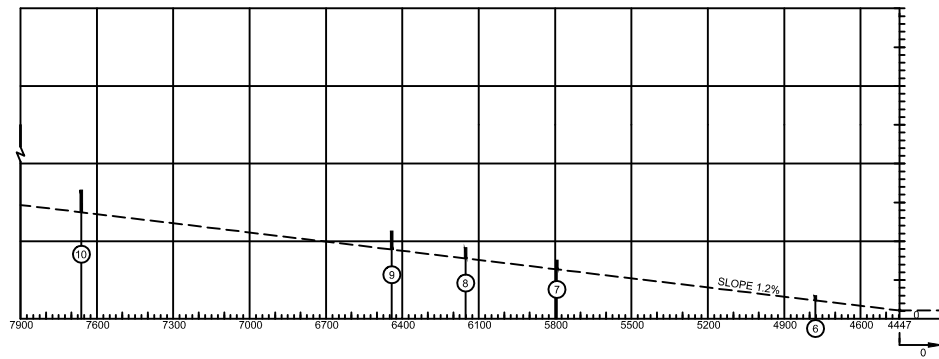
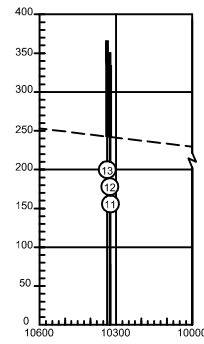
MAGNETIC VARIATION 2°E (2012)

**RUNWAY 12R/30L**

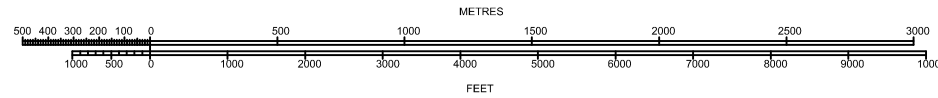
**DECLARED DISTANCES**

RWY 12R		RWY 30L
4315	TAKE-OFF RUN AVAILABLE	4447
4315	TAKE-OFF DISTANCE AVAILABLE	4447
4570	ACCELERATE-STOP DISTANCE AVAILABLE	4570
3730	LANDING DISTANCE AVAILABLE	4315

OVERALL RUNWAY GRADIENT 1:240



HORIZONTAL SCALE



**LEGEND**

**PROFILE**

IDENTIFICATION NUMBER	⑩	
HEIGHT AMSL	25	—
BUILDING	■	—
TREE / BUSH	*	—
POLE, AERIAL, TOWER, ETC	●	—
MOBILE OBSTACLE	⊕	—

Number	Description	Latitude	Longitude	Elevation (M)	Elevation (FT)	Survey Ref No.
1	30L LLZ FFM	251403.07N	0552352.82E	23.27	76.34	3050
2	LAMP POST	251401.71N	0552403.97E	28.06	92.06	1641
3	ROAD SIGN	251358.87N	0552410.58E	32.01	105.02	1655
4	SIGN BOARD	251358.75N	0552410.63E	32.09	105.28	6506
5	PYLON	251353.75N	0552427.19E	39.49	129.56	2477
6	12R LLZ FFM	251527.91N	0552119.81E	9.07	29.76	3038
7	APRON LIGHT LIT	251542.59N	0552047.16E	23.05	75.62	1968
8	APRON LIGHT LIT	251549.58N	0552036.85E	27.91	91.57	1013
9	FLOODLIGHT LIT	251547.37N	0552023.22E	34.49	113.15	6763
10	AERIAL	251607.75N	0551945.86E	50.63	166.11	6669
11	BUILDING LIT	251641.07N	0551816.81E	101.83	334.08	2365
12	ANTENNA	251641.05N	0551816.68E	106.92	350.78	1050
13	BUILDING ANTENNA	251641.12N	0551816.32E	111.55	365.97	2364

ORDER OF ACCURACY: Horizontal 3m; Vertical 1ft